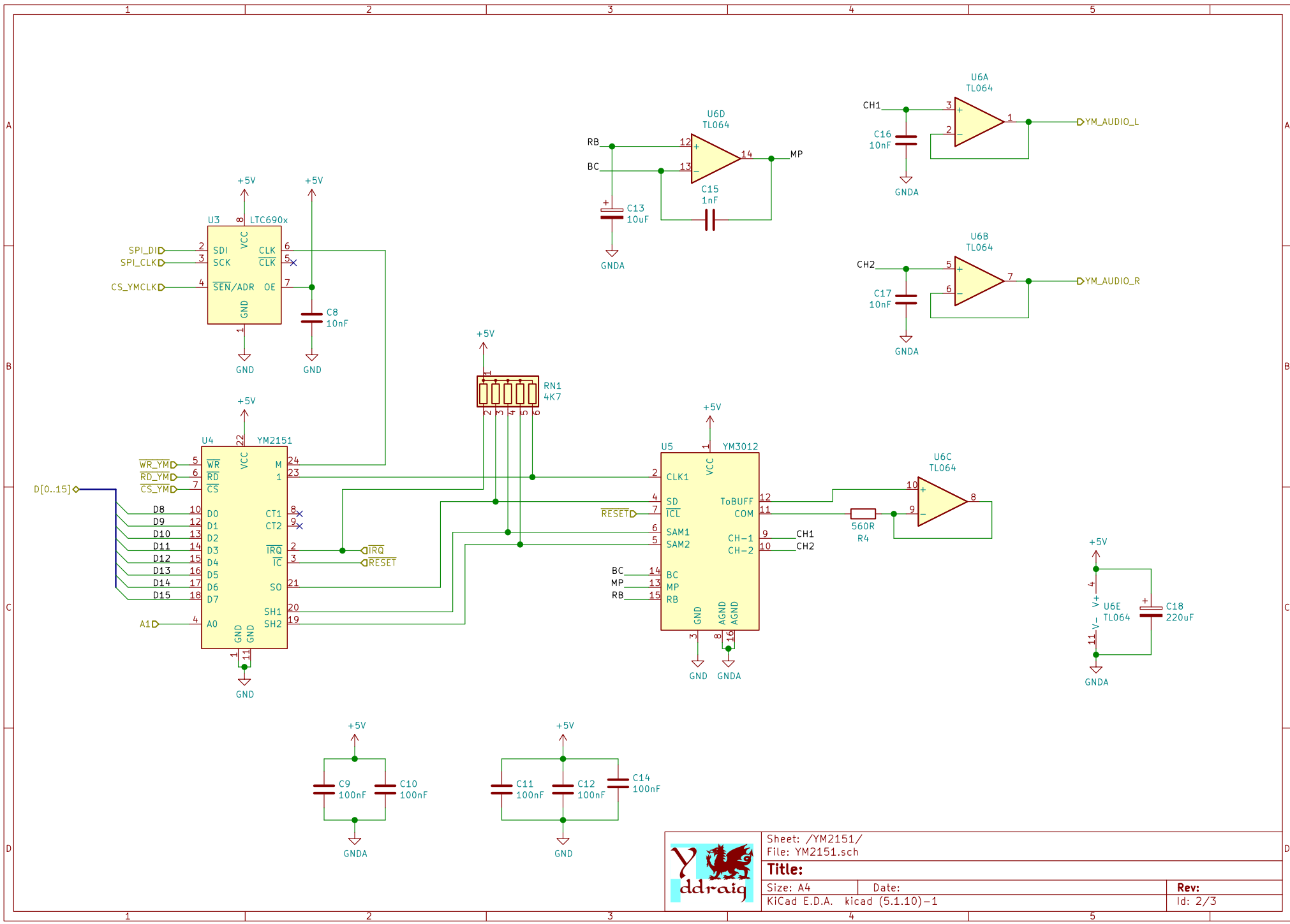
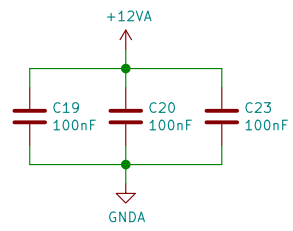
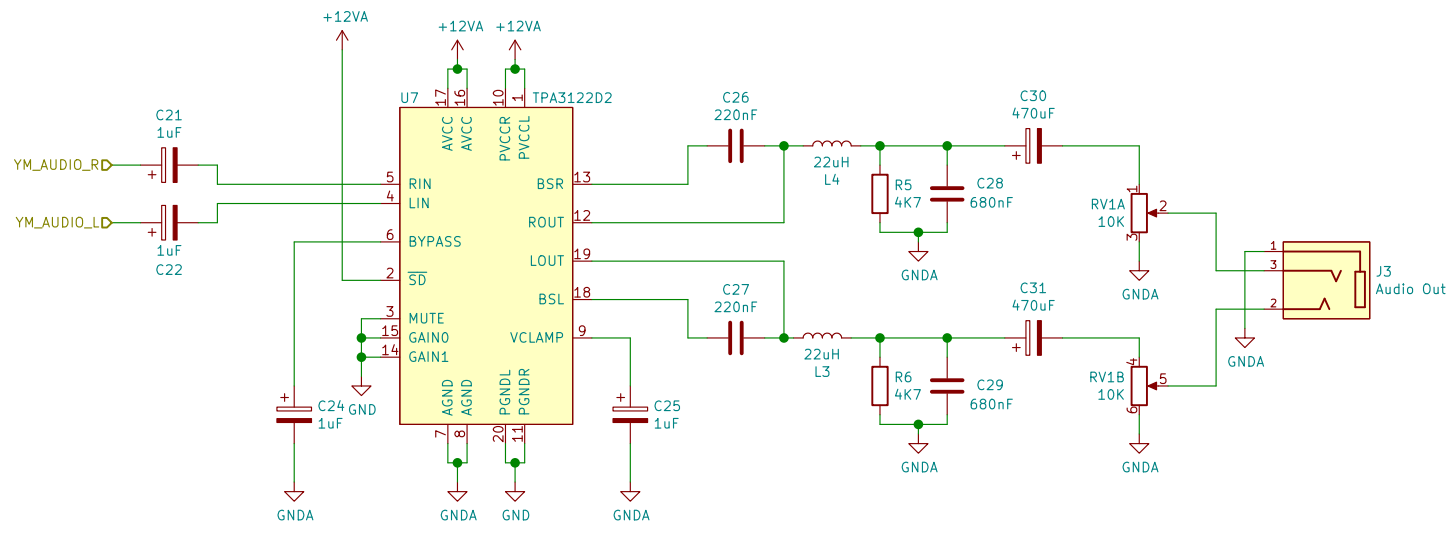


Sheet: /		Date:	
File: AudioYM2151.sch		Rev: 1/3	
Size: A4	KiCad E.D.A. kicad (5.1.10)-1		



	Sheet: /YM2151/	
	File: YM2151.sch	
Title:		
Size: A4	Date:	Rev:
KiCad E.D.A. kicad (5.1.10)-1		Id: 2/3



	Sheet: /Amplifier/ File: Amplifier.sch	
	Title:	
Size: A4	Date:	Rev:
KiCad E.D.A. kicad (5.1.10)-1		Id: 3/3